

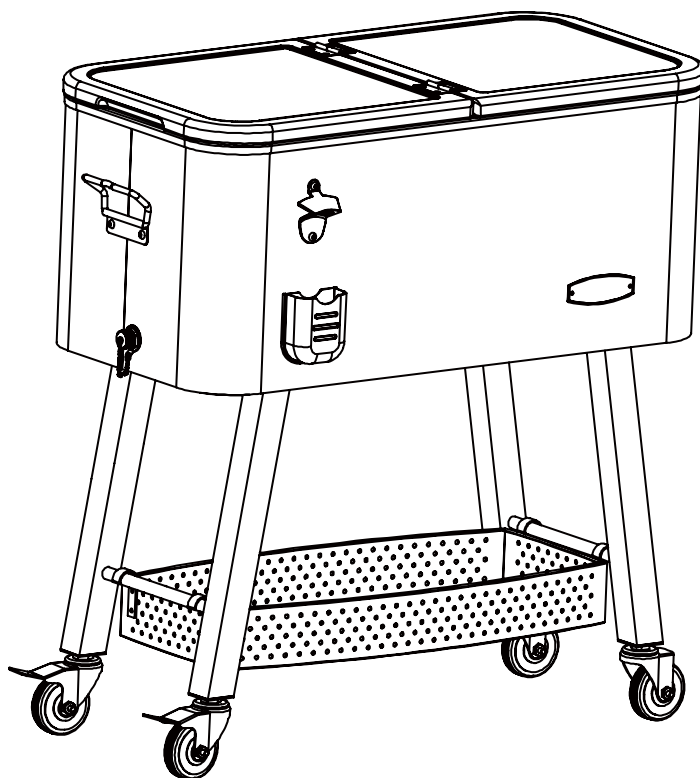


Customer Service

📞 1-800-618-6798

ASSEMBLY GUIDE

Model: **CL8001R**



Premium Rolling Cooler

FOR YOUR SAFETY!

Read the instructions before assembling and using the appliance.
DO NOT use the appliance unless it is completely assembled, and all the parts are securely fastened.
Keep away from children and pets.

CONTACT US FIRST!

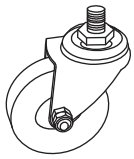
This appliance has been made to high quality standards.
If you have any questions that are not addressed in this Owner's Manual, or you need parts,
please call our customer service hotline or send an email to service@creolefeast.com
Please keep this Owner's Manual for future reference.

Learn more at:

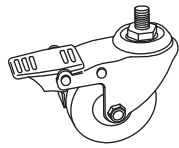
www.creolefeast.com



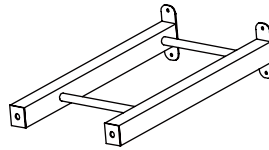
Parts and Hardware List



Swivel caster
A (2 PCS)



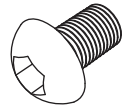
Locking swivel caster
B (2 PCS)



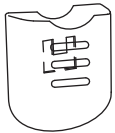
Leg assembly
C (2 PCS)



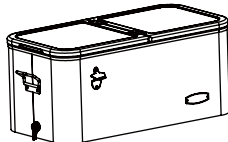
Wrench
D (1 PC)



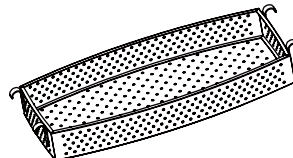
Bolt
E (8 PCS)



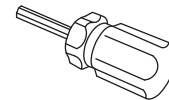
Cap catcher
F (1 PC)



Cooler body
G (1 PC)



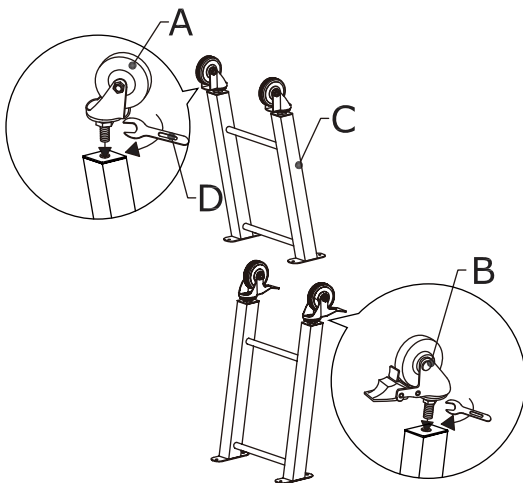
Basket
H (1 PC)



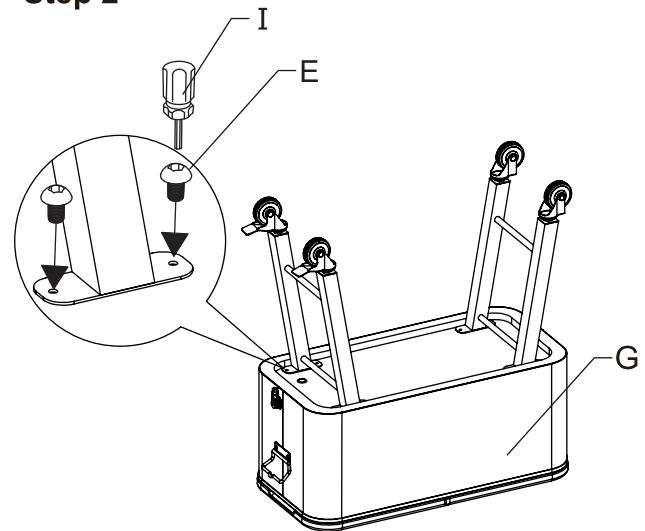
Screwdriver
I (1 PC)

Assembly

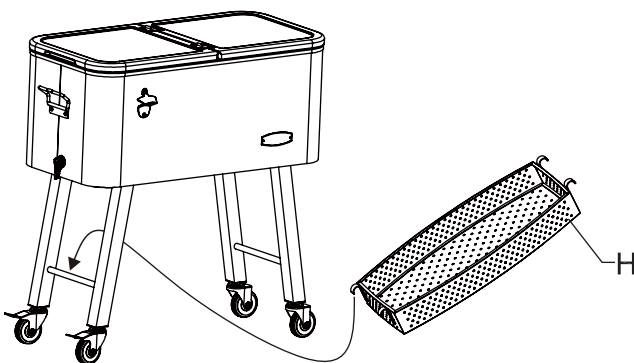
Step 1



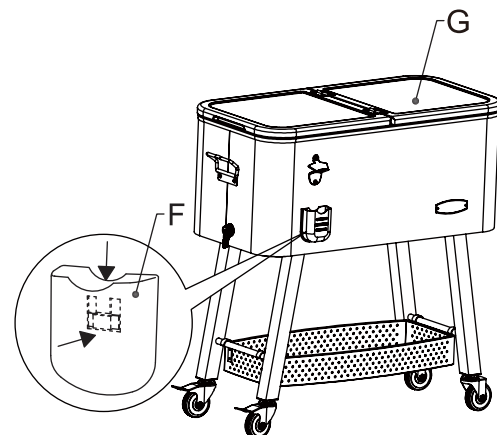
Step 2



Step 3



Step 4



* Model shown for illustration purpose only, specific please in kind prevail.